

NEW

RADIATION PANEL METER

*TTY & Serial Remote Display, Loop/Signal Powered Meter
Analog or Digital Inputs*

**MODEL
RPM**

11-6-19

FEATURES:

- Class 1E 10CF50, App.B
- Meets EPRI 102323-R3
- Interfaces with General Atomics RM2000 Radiation TTY Transmitter
- Replaces Fit, Form & Function G.E. RM-2300
- 8 Alphanumeric Characters
- Isolated 20mA (TTY), USB & RS485 I/O Input w/ exponentials
- Log, Anti-Log & Math Functions
- Analog/Digital Inputs (>30 options)
- 7-32VDC & 90-265VAC Power
- EMI/RFI Shielded Connectors
- Lifetime Warranty

Replaces FF&F Obsolete RM-2300 Nuclear Radiation Meter by G.E.



Typical 8-15 Segment Display
Or 5 Digits with Exponential

**Nuclear Class 1E
& Mil-Spec Grades**

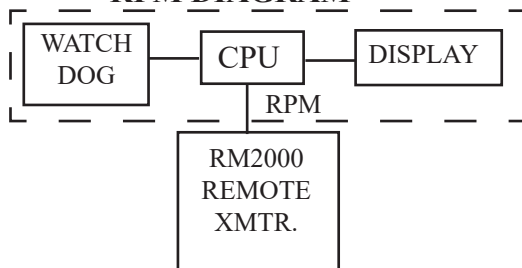
SPECIFICATIONS at 25°C:

- * A/D: Accuracy & Linearity: +/- 0.05% of F.S. ± 1 Digit, 3 1/2 Digits for Analog Inputs, options 0-8
- * Display: 8 Each 15 red segment full alphanumeric w/D.P. .4" High
- * Housing: Machined Aluminum 6061, Nickel plated, black powder coated
- * Temperature Coefficient: +/-50PPM/°C
- * Operating Temperature: -10 to +60; Storage: -20 to +70°C
- * CCMR: >90dB@50-60Hz
- * Isolation: >500VDC to any other I/O & P.S.
- * Humidity: 5-95% RH noncondensing
- * Front Panel: NEMA 4X
- * Failed Signal Detect: ~ 20 seconds after > 1 minute
- * Power Consumption: >10<100mW@ 5V For Loop Power Versions or < 0.5W for External Power

See Specific Option Specifications

OTEK is now a
10CFR50 App. B
Qualified Company

RPM DIAGRAM



DESCRIPTION:

Otek Corporation was commissioned to design and manufacture a Form, Fit and Function replacement for G.E. model RM 2300, which monitors radiation levels inside a nuclear reactor's vessel and spent fuel pools.

The **RPM (Radiation Panel Meter)** Series is a variation of our award winning **NTM (New Technology Meter)** and **UPM (Universal Panel Meter)** series that features a tricolor bargraph-digital display. The RPM features full alpha-numeric red display and accepts a serial input of 20mA current loop data AKA:/TTY.

The **RPM** is a unique model of the **UPM** Series because of its customized hardware and software (for Class 1E & Mil-Specs) and TTY interface. Due to its size restrictions, the **RPM** does not offer the tricolor display (red is standard) or the analog and alarm outputs like the rest of the **UPM** family. It does include the same firmware, which has been verified (SV&V) by an independent party. The firmware includes math functions (+, -, X, \div , $\sqrt{\quad}$), log and anti-log, X-Y 25 point tables, 9th order polynomials, offset, scare, tare and more, all available via the serial port.

Custom Designs for "Plug & Play" welcome!

520-748-7900

FAX: 520-790-2808

E-MAIL:sales@otekcorp.com

http://www.otekcorp.com

OTEK™
CORP.
SINCE 1974

4016 E. TENNESSEE ST.
TUCSON, AZ. 85714 U.S.A.

MADE
IN
USA



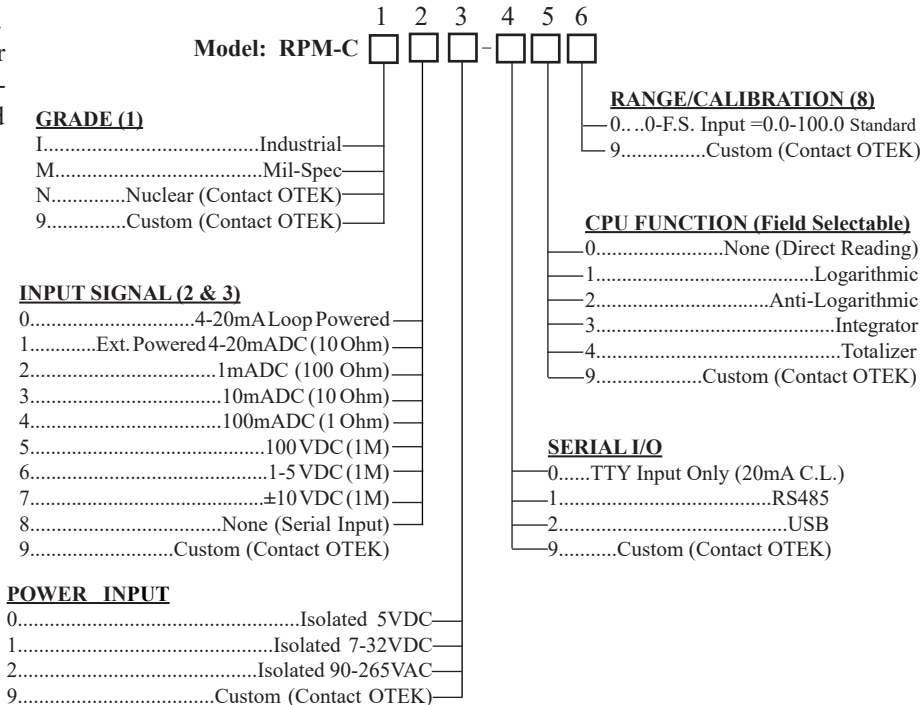
RPM SERIES

RADIATION PANEL METER

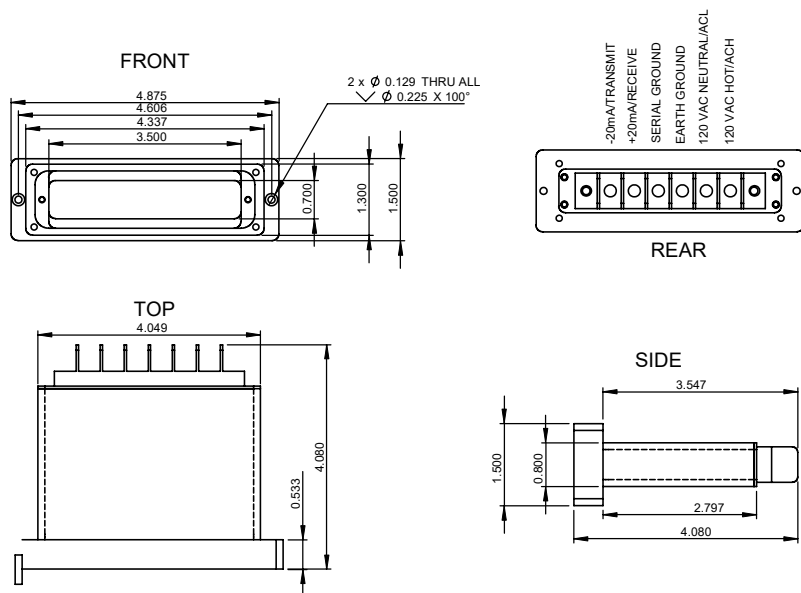
ORDERING INFORMATION 11-6-19

NOTES:

1. Contact Otek for M & N grades. Otek will build to certain nuclear or MIL-standards, but testing and confirmation of compliance, if required
2. Contact Otek for over 30 signal conditioners built-in (TC, RTD, S-G, pH, etc.). Options 0-8 are for analog inputs only. For other analog inputs such as RMS, TC, RTD, etc. see our NTM or UPM series or contact sales@otekcorp.com



RPM MECHANICAL INFORMATION



NOTES:

1. Maximum depth not to exceed 4 inches behind panel.
2. Serial ground terminal is provided for grounding shield of signal cable. It is not required if cable is grounded at the other end. Connect earth ground terminal to cabinet ground.
3. Mounting Hardware: (not supplied)
 2 x 4-40 x 1" screw
 2 x #4 washer
 2 x 4-40 self locking nut

Typical Connections:

<p>ST 1 Input Signal</p> <p>1: - - -</p> <p>2: - - - see user's manual</p> <p>3: - - -</p> <p>4: - - -</p>	<p>ST3 Power Input</p> <p>1: V+/AC High</p> <p>2: E. GND</p> <p>3: GND/AC Low</p>
--	---

520-748-7900

FAX: 520-790-2808

E-MAIL: sales@otekcorp.com

http://www.otekcorp.com

OTEK™
CORP.

SINCE 1974

4016 E. TENNESSEE ST.
TUCSON, AZ. 85714 U.S.A.

MADE
IN
USA

