

DISCONTINUED!!!!!!! See Model: NTM-L

**MODEL
HI-Q112**

0.8" Low Cost Smart Remote Displays With RS-232C/RS-485 I/O

HI-Q112



FEATURES:

- 0.8" 4 Digits
- All ASCII Characters
- Programmable Baud Rate
- Programmable Address
- Limited Alpha Characters
- 5VDC Power Input
- 6-32VDC Power Input
- 90-265VAC Power Input*
- NEMA4 Front Panel*
- Screw Terminal Connector
- Explosion Proof Available

ACTUAL SIZE (1/8 DIN Cutout)

DESCRIPTION: OTEK's new HI-Q112™ series of serial input remote displays are 100% compatible with any HI-Q series controllers or any device with RS232 or RS485 protocol ASCII character output.

The individually addressed segments of each digit allows you to generate limited alpha characters and all numerals (0-9) plus decimal points.

Baud rate is software programmable (9600 Std.) and address is jumper selectable or software programmable. The HI-Q112 has an LED on the upper left corner that can be addressed as sign, over-range or alarm. All connections are made through screw terminal connectors.

ANALOG INPUT We can include (on request) a 16 Bit A/D. Contact OTEK.

The HI-Q112 accepts 5VDC ±5%; 6-32VDC or 90-265VAC power input and its front is NEMA4 rated.

Model can be ordered in explosion proof housing for hazardous environment applications. The internal design of the units allows for custom features such as analog inputs, digital inputs and serial I/O. Contact OTEK with your requirements.



EXPLOSION PROOF



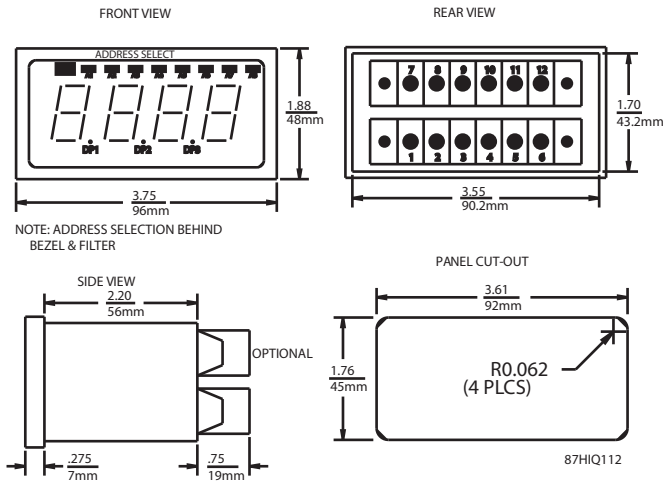
4 DIGITS 0.8" LED
SANITARY CASE

SPECIFICATIONS @ 25°C

<u>PARAMETER</u>	<u>HI-Q112</u>
Display Size	0.80" High
Power Consumption	1.50W Max.
Power Input (Non Isolated)	5VDC ±5%
Power Input (Isolated)	6-32VDC
Power Input (Isolated)	90-265VAC (Internal)
Baudrate (9600 Std.)	300-9600 Software
Address (00-256)	Software
Protocol Compliance	RS232C/RS485
Operating & Storage Temperature	0-60°C & -20-80°C
Environmental	NEMA4 (IP65)
*Hazardous (Explosion Proof)	Consult Factory
Housing Material	Polycarbonate 94VO
Isolation to Power Input	500V
(6-32VDC or 90-265VAC Options)	

* **Note:** Explosion Proof Option meets Class I, Div1 & 2 groups B,C,D; Class II, Div 1 & 2 groups E,F,G; Class III, Nema 3,4,7,9 & 12; FMC, CSA, Cenelec and Baseefa. Sanitary Case Specs: Water Tight, Up to 250°F Steam. 3/4" NPT Port.

HI-Q112 MECHANICAL

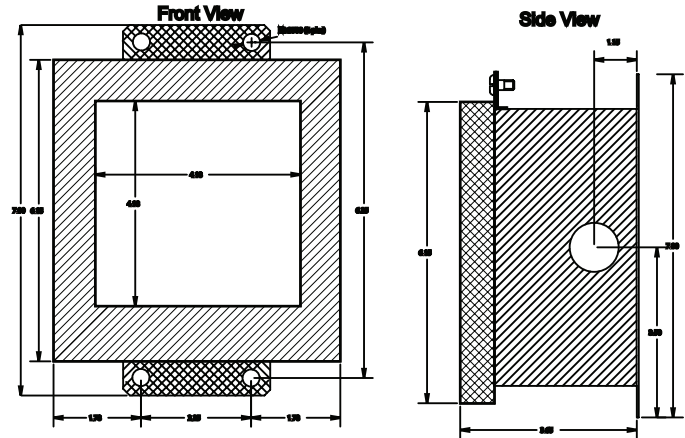


TERMINAL DESCRIPTION:

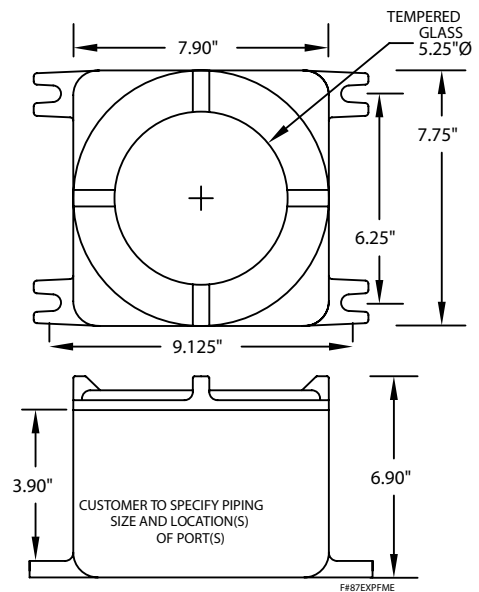
- 1: RXD/DI; 2: TXD/DO; 3: Ground
- 4: +5VDC.; 5: +VDC In /AC High; 6: -VDC In/AC Low
- Note: 7-12 for Custom Models Only.

Note: When 6-32VDC or AC Power is included, its inputs (at 5 & 6) are isolated from VCC GND, & Serial I/O lines and terminals. 4 (+) & 3 (-) are power output (+5V).

SANITARY CASE (OPTION 3)



EXPLOSION PROOF (OPTION 2)



ORDERING INFORMATION (8-4-11)

HI-Q112 } 1 2 3 4 5 0

<p>SERIAL INPUT</p> <p>0.....RS-232C</p> <p>1.....RS-485</p>	<p>OTHER OPTIONS</p> <p>0.....None</p> <p>9.....Custom (Factory #)</p>
---	---

<p>POWER INPUT</p> <p>0.....Non-Isol. 5VDC</p> <p>1.....Isolated 9-36VDC</p> <p>2.....Isolated 90-265VAC</p>	<p>HOUSING</p> <p>0.....Standard</p> <p>1.....NEMA 4X</p> <p>2.....Explosion Proof</p> <p>3.....Sanitary</p>
---	---

NOTE: See Model SRD for USB I/O

* Specifications Subject to Change Without Notice!!

* All OTEK products are covered under a Limited Lifetime Warranty!

Contact OTEK for Your Custom Needs!!