

# Low Cost Smart Remote Displays

## With RS-232C/USB/RS-485 I/O

**MODEL  
HI-Q111**

STANDARD SNAP RING  
HOUSING



ACTUAL SIZE (2.55x1.45") 4 DIGITS 0.6" LED

EXPLOSION PROOF



(UP TO 3 DISPLAYS) IN  
SANITARY HOUSING



**DESCRIPTION:** OTEK's new HI-Q111™ series of serial input remote displays are 100% compatible with any HI-Q series controllers or any device with RS232C, USB or RS485 protocol ASCII character output.

The individually addressed segments of each digit allows you to generate limited alpha characters and all numerals (0-9) plus decimal points.

Baud rate is software programmable (9600 Std.) and address is jumper selectable or software programmable. The HI-Q111 has an LED on the upper left corner that can be addressed as sign, over-range or alarm. All connections are made through screw terminal connectors.

**The HI-Q111** can be powered by 5VDC±5% or isolated 10-32VDC (or 24VAC) or 90-265VAC power supply.

**FEATURES:**

- 4 Digits (9.9.9.9.) 0.56" High
- All ASCII Characters
- Programmable Baud Rate
- Programmable Address
- Limited Alpha Characters
- 5VDC Power Input
- 10-32VDC Power Input
- 90-265VAC Power Input
- Screw Terminal Connector
- Explosion Proof & Sanitary Cases Available

**SPECIFICATIONS @ 25°C**

PARAMETER	HI-Q111
Display .....	9.9.9.9.
Display Size .....	0.56" High
Power Consumption .....	1.0W Max.
Power Input (Non Isolated).....	5VDC ±5%
Power Input (Isolated).....	10-32VDC (12-24VAC)
Power Input (Isolated).....	90-265VAC
Baudrate (9600 Std.) .....	300-9600 Software
Address (00-255) .....	Software
Protocol Compliance.....	RS232C/RS485/USB
Operating & Storage Temperature .....	0-60°C & -20-80°C
Environmental.....	NEMA12
Sanitary Case .....	Yes, Up to 3 Ea.
*Hazardous (Explosion Proof).....	Yes
Housing Material .....	Polycarbonate 94VO
Isolation to Power Input.....	500V (6-32VDC or 90-265VAC Options)

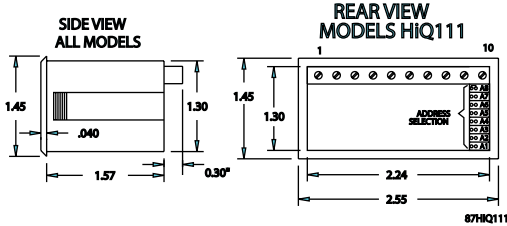
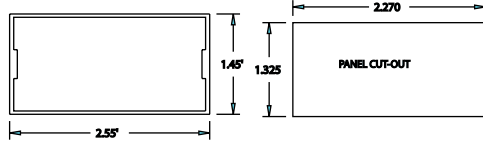
\* **Note:** Explosion Proof Option meets Class I, Div1 & 2 groups B,C,D; Class II, Div 1 & 2 groups E,F,G; Class III, Nema 3,4,7,9 & 12; FMC, CSA, Cenelec and Baseefa.  
Sanitary Case Specs: Water Tight, Up to 250°F Steam, 3/4" NPT Port



# HI-Q111™ MECHANICAL INFORMATION

## HIQ111 MECHANICAL (OPTION 0)

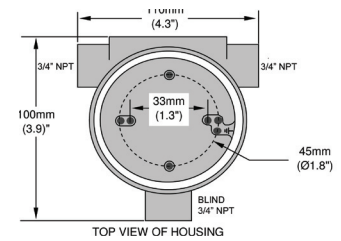
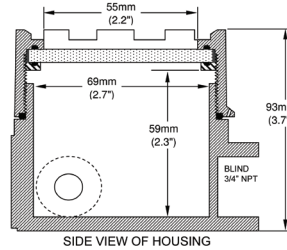
SNAP ON RING  
(SNAPS ON BACK)



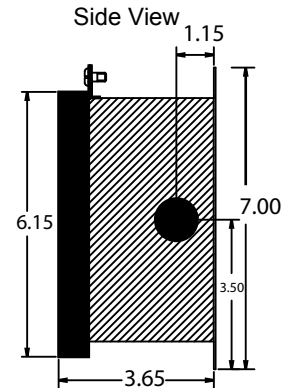
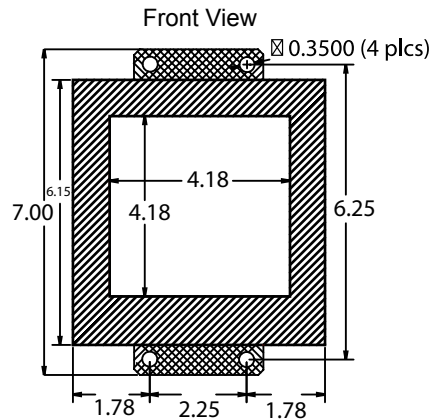
### TERMINAL DESCRIPTION:

For 5VDC Non-Isolated Power: +5V @ #4, Gnd. @ #6.  
 For 10-32VDC Isolated Power: +V @ #1, -V @ #2.  
 For 90-265VAC Isolated Power: ACH @ #10, ACL @ #9.  
 For Serial RS232C: TXD @ #7, RXD @ #8, Use #6 as ground for it.

## EXPLOSION PROOF (OPTION 2)



## SANITARY CASE (OPTION 3)



## HI-Q111 ORDERING INFORMATION

4/29/2013

**NOTE: Please READ BEFORE building part number:**

1. If digit 2 is option 5, then digit 1 must be option 3.

HI-Q111 -  1  2  3  4  5

### SERIAL INPUT (1)

0.....RS-232C  
 1.....RS-485  
 3.....USB

### OTHER OPTIONS

0.....None  
 9.....Custom (Contact OTEK)

### POWER INPUT (1)

0.....Non-Isolated 5VDC  
 1.....Isolated 10-32VDC  
 2.....Isolated 90-265VAC  
 3.....Non-Isolated 7-32VDC  
 4.....Isolated 5VDC +/-5%  
 5.....Non-Isolated USB  
 9.....Custom (Contact OTEK)

### HOUSING

0.....Standard  
 2.....Explosion Proof  
 3.....Sanitary

**DOWNLOADS:**  
 For manuals,  
 user-software or  
 drivers:

[www.otekcorp.com](http://www.otekcorp.com)

520-748-7900

FAX: 520-790-2808

E-MAIL: [sales@otekcorp.com](mailto:sales@otekcorp.com)

<http://www.otekcorp.com>

**OTEK**™  
 CORP.  
 SINCE 1974

4016 E. TENNESSEE ST.  
 TUCSON, AZ. 85714 U.S.A.

MADE  
 IN  
 USA

