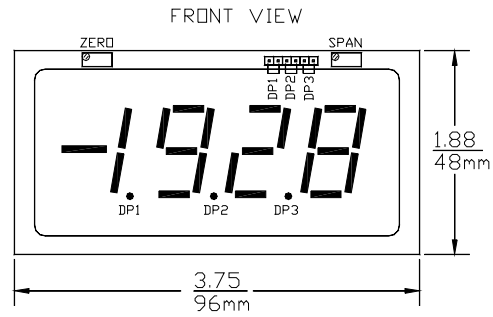
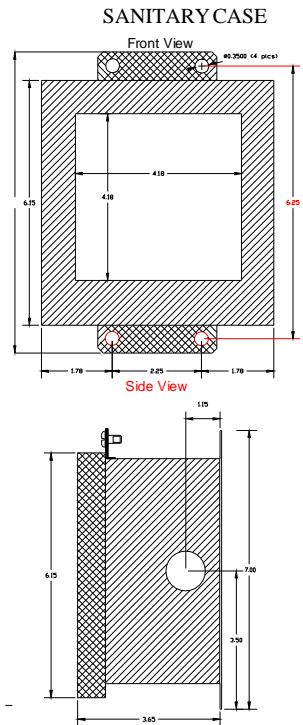
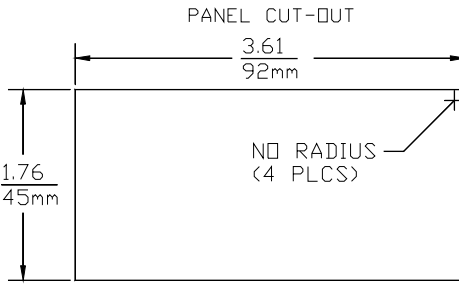
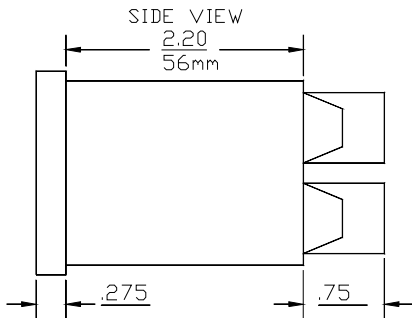
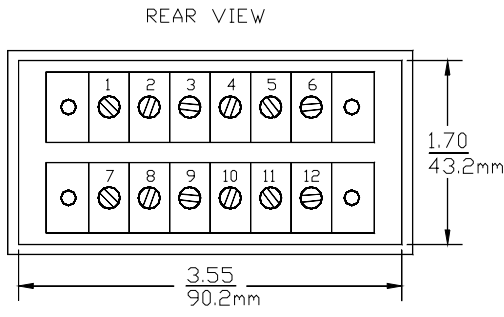


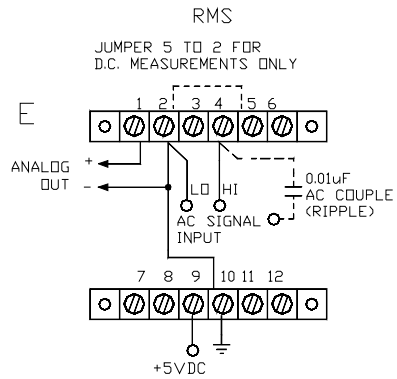
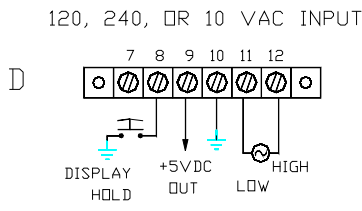
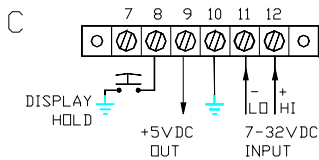
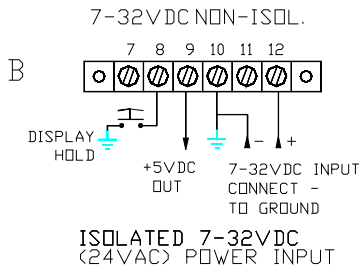
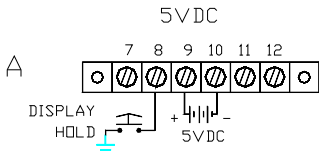
OJ-2008 MECHANICALS & TYPICAL CONNECTIONS



NOTE: ZERO & SPAN BEHIND BEZEL & FILTER



MOD. OJ-2008 RMS TYPICAL CONNECTIONS



F#87MC2008.DWG

DECIMAL POINT SELECTION:
Simply remove the front filter and jumper the appropriate headers. (Jumper supplied.)

FAX: 520-790-2808
E-MAIL: sales@otekcorp.com
TOLL FREE: 1-877-227-6835
520-748-7900

OTTEK™
CORP.
SINCE 1974

4016 E. TENNESSEE ST.
TUCSON, AZ. 85714 U.S.A.

MADE
IN
USA

