

**CURRENT LOOP/PROCESS METER WITH
Compliance (VDC) for Transmitters
NEMA 3 or NEMA 4X Case 1/8 DIN DIGITAL PANEL METER**

**MODEL
OJ-2007**



- Features**
- Large .8" LED Display
 - Screw Terminal Connector
 - Display Hold
 - Only 75mm deep (3.0")
 - Easy to Mount · Low Cost
 - Only 140mA @ 5VDC
 - Wide Zero & Span Adjustment
 - 1-5, 4-20 & 10-50 mA Ranges
 - 1-5, & ±10VDC Ranges



SANITARY

CURRENT LOOP

DESCRIPTION: The OJ-2007 offers **high reliability** and **low cost** for the most popular input functions. The 1/8 DIN case makes it possible to upgrade your existing system with little modification, if any. The series "OJ2007" only requires 140mA at 5VDC to power its bright 0.8" high display.

CALIBRATION: All units calibrated for standard process range (4mA=0; 20mA=1000 counts or equivalent) unless otherwise requested at time of ordering. In either case, "OJ" series can be field calibrated by simply removing filter and adjusting "pots" as required.

MOUNTING: Snap-in type mounting is standard and not recommended for areas subjected to heavy vibration. Screw-on clips are optional and provide exceptional support.

HOUSING: Standard 1/8 DIN case measuring 48mm x 96mm and only 75mm deep! U.L. approved ABS Polycarbonate 94VO rated. NEMA 3 is standard. NEMA 4 is optional. NEMA 4 housing requires screw-in mounting style. Sanitary Case is Wall, Panel or Pipe mount and can include up to 2 meters, please specify.

CONNECTORS: Industry's standard screw terminal barrier strip that accepts lugs or bare wire 22-12 gauge.

COMPLIANCE: When ordered, converts the internal 5VDC to +24VDC and supplies up to 30mA for the external transmitter, and since the "OJ" drops only 200mV, the full 24V is available for the transmitter plus other "drops."

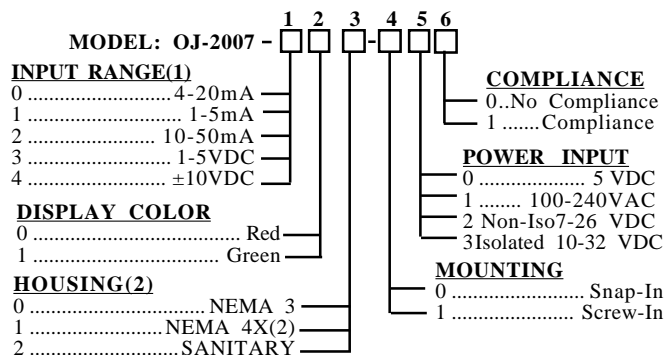
SPECIFICATIONS AT 25°C

Accuracy and Linearity	±0.05% ±1 digit
Temperature Coefficient	50 ppm/°C
Sampling Rate	3 samples/sec. standard, others on request
Input Type	Single ended or differential
Operating Temp.	-10° to +60°C
Storage Temp.	-20° to +70°C
Humidity	Unaffected from 0-95% Rh. Non-condensing
Display Hold	logic 1 = Convert; logic 0 = Hold
Compliance Range (loop drop)	200mV
Current Loop Range	3-30mA
Zero Adjust	±50% of Range
Span Adjust	±25% of Range
Power Req't (plus compliance)	140mA at 5VDC
Compliance Supply Output	30mA at +24VDC
Compliance Supply Input	150mA at 5VDC
MTBF	100,000 Hours
Power Consumption	1 Watt
Sanitary Case	NEMA 4X up to 250°F Steam Cleaning

OTHER 1/8 DIN PRODUCTS:

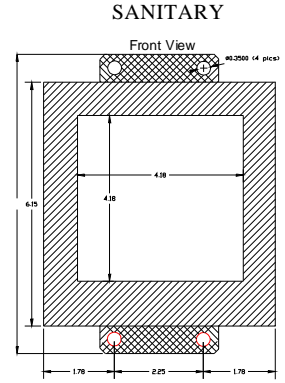
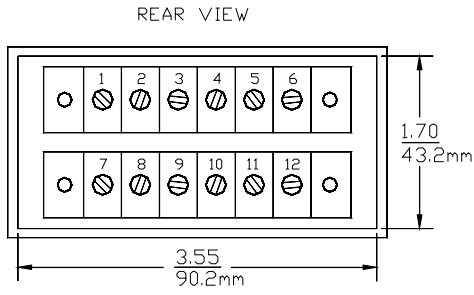
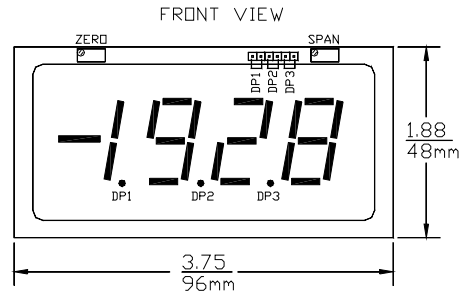
- DIN-BAR "Tri-Color Bargraph with Digits"
- OJ2000 "VDC/mADC Meter"
- OJ2008 "Volts, mA, and RMS Meter"
- SPM "Signal Powered Meter"
- HI-Q112 "Smart Remote Display with Serial I/O's"
- HI-QDPM "DC, Current, Strain, Gauge or Process Signal Meter"
- HIQ-CPM "Frequency, Rate, Total and Time Function Meter"

ORDERING INFORMATION (4-17-09)

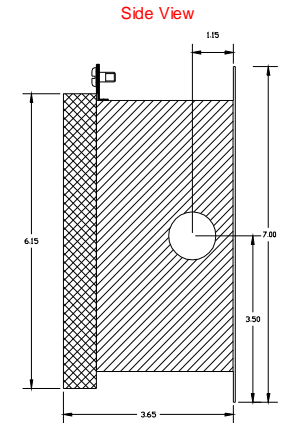
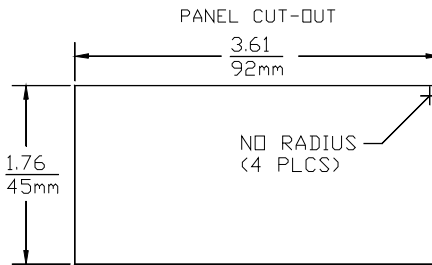
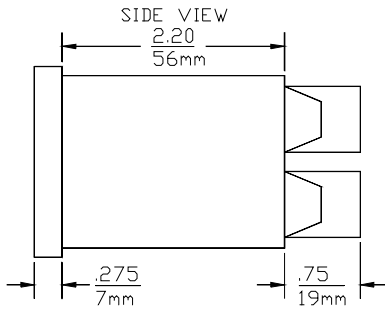


Notes:
(1) Standard Calibration
4mA = 000;
20mA = 1000 counts
Others on request
(2) NEMA 4X requires
screw-in mounting style.

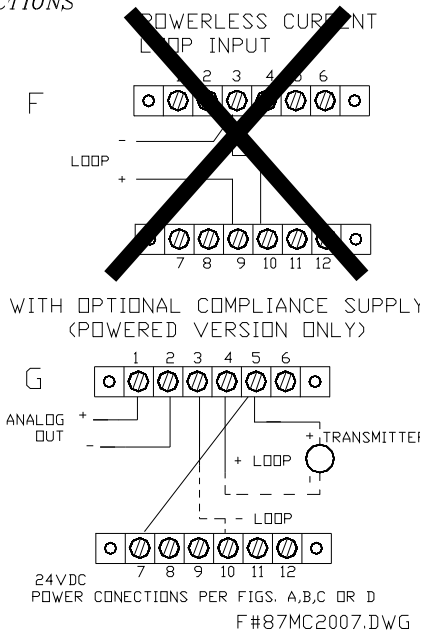
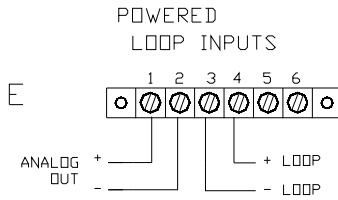
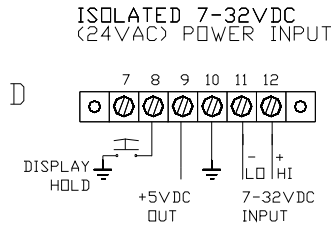
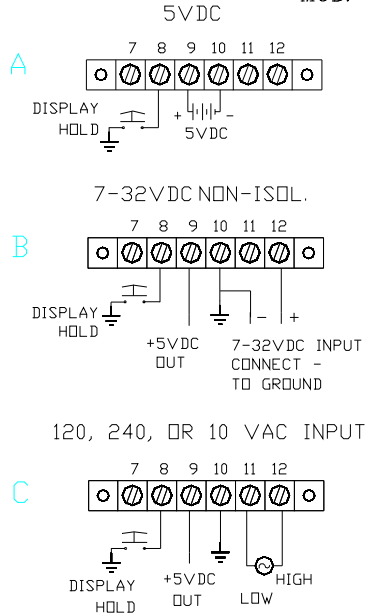
OJ-2007 MECHANICALS & TYPICAL CONNECTIONS



NOTE: ZERO & SPAN BEHIND BEZEL & FILTER



MOD. OJ-2007 CURRENT LOOP TYPICAL CONNECTIONS



DECIMAL POINT SELECTION:
Simply remove the front filter and jumper the appropriate headers. (Jumper supplied.)

FAX: 520-790-2808
E-MAIL: sales@otekcorp.com
TOLLFREE: 1-877-227-6835
520-748-7900

OTTEK™
CORP.
SINCE 1974

4016 E. TENNESSEE ST.
TUCSON, AZ. 85714 U.S.A.

MADE
IN
USA

