

VDC/mADC INPUT LARGE LED DISPLAY PANEL METER NEMA 3 or NEMA 4X Case 1/8 DIN DIGITAL PANEL METER

**MODEL
OJ-2000**



Features

- Large .8" LED Display
- Screw Terminal Connector
- Display Hold
- Only 75mm Deep (3.0")
- NEMA 3 Standard
- NEMA 4 Optional
- Easy to Mount & Low Cost



SANITARY

DESCRIPTION: The "OJ-2000" series of Digital Panel Meters offer **high-reliability** and **low cost** for the most popular input functions. The 1/8 DIN case makes it possible to upgrade your existing system with little modification, if any.

"OJ's" PLUG-IN design makes it easy to change from a 200mVDC input to an RTD, Thermocouple Current Loop, etc. See other "OJ" series.

DISPLAY: Giant red or green 3½ digit (-1999) LED display measuring a full 0.8" high.

DECIMAL POINT SELECTION: Simply remove the front filter and jumper the appropriate headers. (Jumper supplied.)

MOUNTING: Snap-in type mounting is standard and not recommended for areas subjected to heavy vibration. Screw-on clips are optional and provide exceptional support.

POWER INPUT OPTIONS: 5VDC or optional 100-240VAC, 7-26VDC non-isolated, and 10-32VDC Isolated.

HOUSING: Standard 1/8 DIN case measuring 48mm x 96mm and only 75mm deep! U.L. approved ABS Polycarbonate 94VO rated. NEMA 3 is standard. NEMA 4X is optional. NEMA 4X housing requires screw-in mounting style. Sanitary housing is Wall, Pipe or Panel Mounting and can have up to 2 meters, please specify.

CONNECTOR: Industry's standard screw terminal barrier strip that accepts lugs or bare wire 22-12 gauge.

SPECIFICATIONS AT 25°C

Accuracy and Linearity	±0.05% ±1 digit
Temperature Coefficient	50 ppm/°C
Sampling Rate	3 samples/sec. standard, others on request
Input Type	Single ended or differential
Operating Temp.	-10° to +60°C
Storage Temp.	-20° to +70°C
Humidity	Unaffected from 0-95% Rh. Non-condensing
Full Scale Adjustment	±500 counts from midscale
Display Hold (LED Only)	logic 1 = Convert; logic 0 = Hold
LED Version MTBF	100,000 Hours
Sanitary Case	NEMA 4X up to 250°F Steam Cleaning
Power Consumption	1 Watt

WARNING: When using other than the 5VDC input, the 5VDC output is limited to 100mA max for the LED.

OTHER 1/8 DIN PRODUCTS:

- DIN-BAR "Tri-Color Bargraph with Digits"
- OJ2007 "Current Loop/Process Meter"
- OJ2008 "Volts, mA, and RMS Meter"
- SPM "Signal Powered Meter"
- HI-Q112 "Smart Remote Display with Serial I/O's"
- HI-QDPM "DC, Current, Strain, Gauge or Process Signal Meter"
- HIQ-CPM "Frequency, Rate, Total and Time Function Meter"

ORDERING INFORMATION (4-14-09)

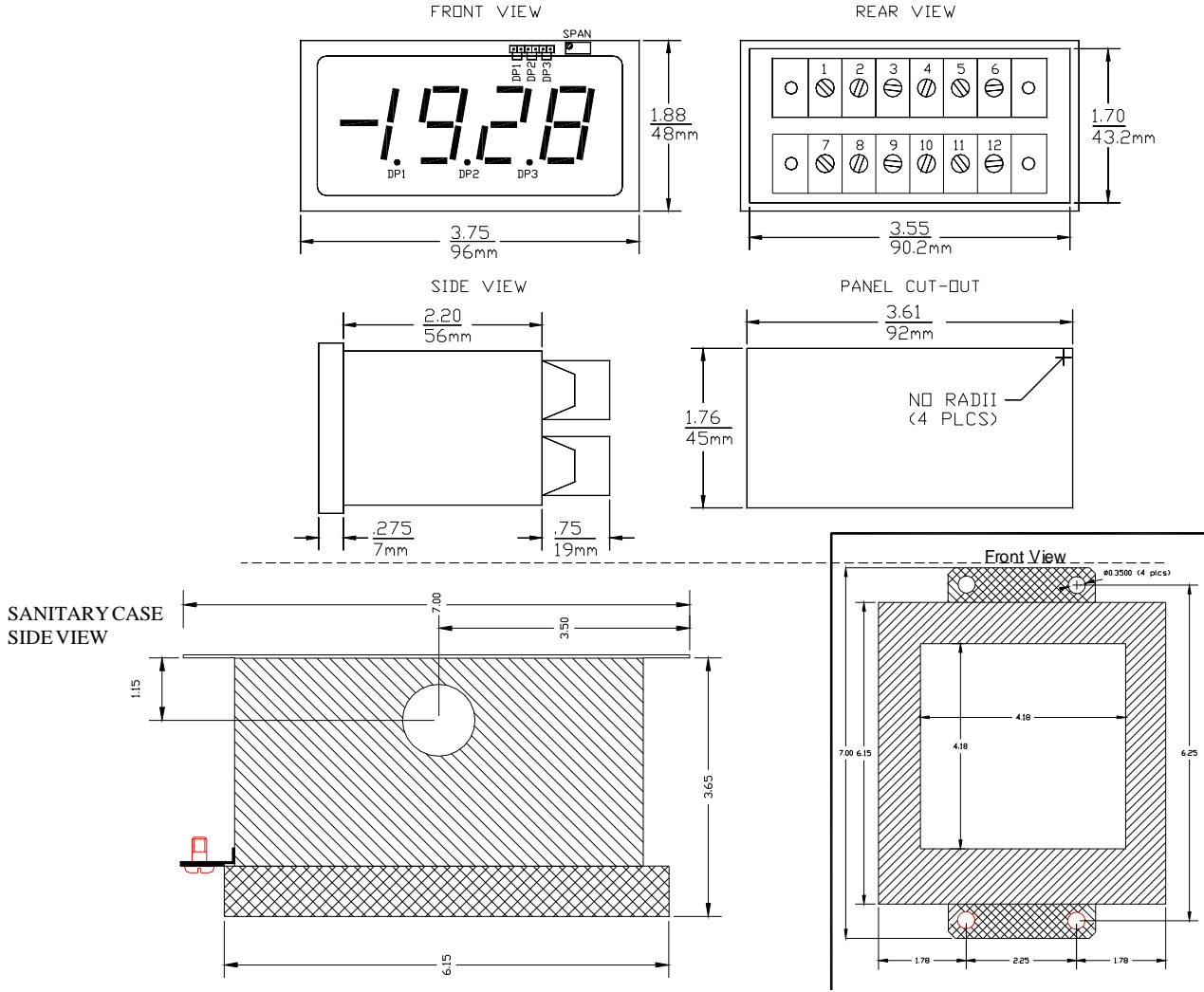
MODEL NO. OJ-2000	1	2	3	4	5
INPUT RANGE(1)					
0	200 mVDC				
1	2 VDC				
2	20 VDC				
3	200 VDC				
4	500 VDC				
5	50 mVDC				
6	0.2mADC				
7	2 mADC				
8	20 mADC				
9	200 mADC				
A	2 Amps DC				
B	10 Amps DC				
DISPLAY COLOR					
0	Red				
1	Green				
POWER INPUT					
0	5 VDC				
1	100-240VAC				
2	Non-Iso 7-26VDC				
3	Isolated 10-32VDC				
MOUNTING					
0	Snap-In				
1	Screw-In				
HOUSING(2)					
0	NEMA 3				
1	NEMA 4X(2)				
2	SANITARY				

NOTES:

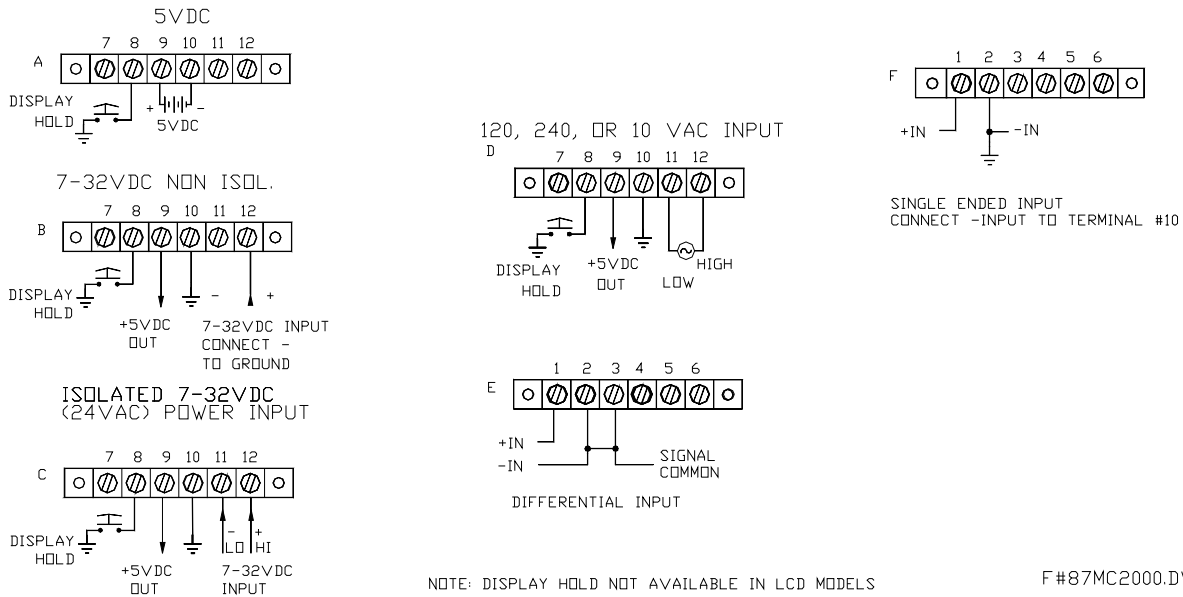
- (1) 50mV = 1000 counts
- (2) NEMA4X housing requires screw-in mounting style.

D.C. VOLTS/AMPS

OJ-2000 MECHANICALS & TYPICAL CONNECTIONS



MOD. OJ-2000 VOLT/mADC TYPICAL CONNECTIONS



NOTE: DISPLAY HOLD NOT AVAILABLE IN LCD MODELS

F#87MC2000.DWG

FAX: 520-790-2808
 E-MAIL: sales@otekcorp.com
 TOLL FREE: 877-227-6835
520-748-7900

OTTEK™
 CORP.
 SINCE 1974

4016 E. TENNESSEE ST.
 TUCSON, AZ. 85714 U.S.A.
 MADE IN USA

