

Low Cost Smart Remote Displays

With RS-232C/USB/RS-485 I/O

**MODEL
HI-Q111**

STANDARD SNAP RING
HOUSING



ACTUAL SIZE (2.55x1.45") 4 DIGITS 0.6" LED

EXPLOSION PROOF



(UP TO 3 DISPLAYS) IN
SANITARY HOUSING



DESCRIPTION: OTEK's new HI-Q111™ series of serial input remote displays are 100% compatible with any HI-Q series controllers or any device with RS232C, USB or RS485 protocol ASCII character output.

The individually addressed segments of each digit allows you to generate limited alpha characters and all numerals (0-9) plus decimal points.

Baud rate is software programmable (9600 Std.) and address is jumper selectable or software programmable. The HI-Q111 has an LED on the upper left corner that can be addressed as sign, over-range or alarm. All connections are made through screw terminal connectors.

The HI-Q111 can be powered by 5VDC±5% or isolated 10-32VDC (or 24VAC) or 90-265VAC power supply.

FEATURES:

- 4 Digits (9.9.9.9.) 0.56" High
- All ASCII Characters
- Programmable Baud Rate
- Programmable Address
- Limited Alpha Characters
- 5VDC Power Input
- 10-32VDC Power Input
- 90-265VAC Power Input
- Screw Terminal Connector
- Explosion Proof & Sanitary Cases Available

SPECIFICATIONS @ 25°C

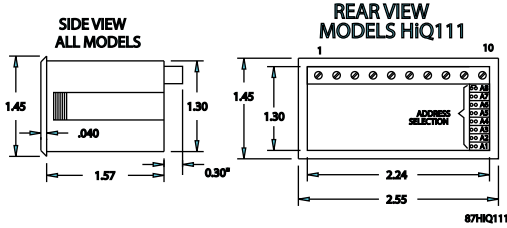
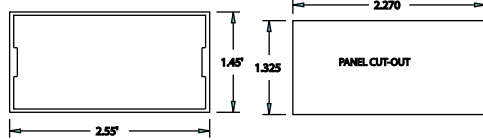
PARAMETER	HI-Q111
Display	9.9.9.9.
Display Size	0.56" High
Power Consumption	1.0W Max.
Power Input (Non Isolated).....	5VDC ±5%
Power Input (Isolated).....	10-32VDC (12-24VAC)
Power Input (Isolated).....	90-265VAC
Baudrate (9600 Std.)	300-9600 Software
Address (00-255)	Software
Protocol Compliance.....	RS232C/RS485/USB
Operating & Storage Temperature	0-60°C & -20-80°C
Environmental.....	NEMA12
Sanitary Case	Yes, Up to 3 Ea.
*Hazardous (Explosion Proof).....	Yes
Housing Material	Polycarbonate 94VO
Isolation to Power Input.....	500V (6-32VDC or 90-265VAC Options)

* **Note:** Explosion Proof Option meets Class I, Div1 & 2 groups B,C,D; Class II, Div 1 & 2 groups E,F,G; Class III, Nema 3,4,7,9 & 12; FMC, CSA, Cenelec and Baseefa.
Sanitary Case Specs: Water Tight, Up to 250°F Steam, 3/4" NPT Port

HI-Q111™ MECHANICAL INFORMATION

HIQ111 MECHANICAL (OPTION 0)

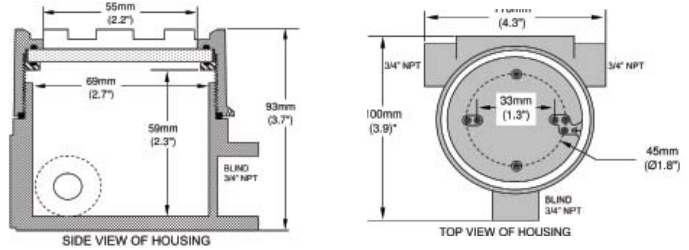
SNAP ON RING
(SNAPS ON BACK)



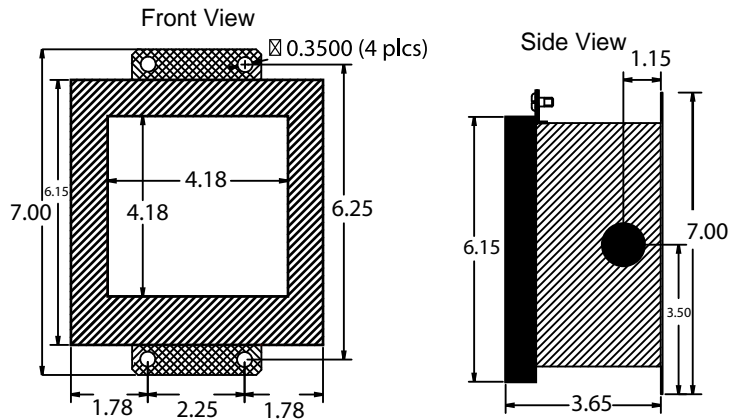
TERMINAL DESCRIPTION:

For 5VDC Non-Isolated Power: +5V @ #4, Gnd. @ #6.
 For 10-32VDC Isolated Power: +V @ #1, -V @ #2.
 For 90-265VAC Isolated Power: ACH @ #10, ACL @ #9.
 For Serial RS232C: TXD @ #7, RXD @ #8, Use #6 as ground for it.

EXPLOSION PROOF (OPTION 2)



SANITARY CASE (OPTION 3)

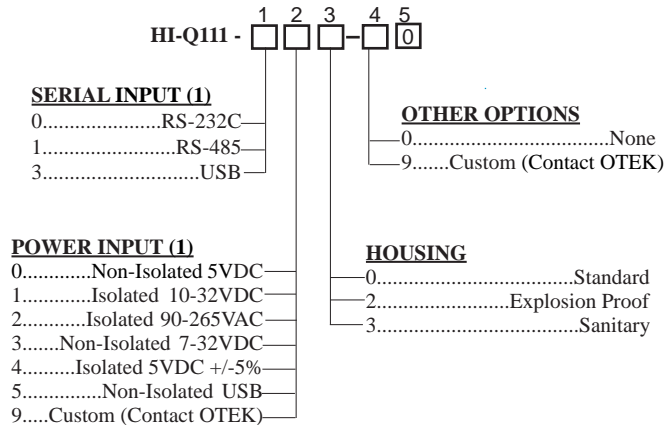


HI-Q111 ORDERING INFORMATION

4/29/2013

NOTE: Please READ BEFORE building part number:

1. If digit 2 is option 5, then digit 1 must be option 3.



DOWNLOADS:
 For manuals,
 user-software or
 drivers:
www.otekcorp.com