

DISCONTINUED!!!!!!!!!!!!!!!!!!!!!! SEE MODEL: NTM-F

VDC/mADC INPUT, 3½ DIGIT LED DIGITAL PANEL METER
 "Flat Pack" No Panel Cut Out Required
 (NEMA 3 or NEMA 4X)

MODEL
 516



FLATPACK

Features

- 1000 Meg. Input Impedance
- Auto Zero-Auto Polarity
- Single IC Construction
- Single Ended/Differential
- Low Power
- Dual Ramp Conversion
- 50mV = 1000 Counts for DC Current Shunts
- 0.6" Red LED
- 100,000 Hours MTBF



SANITARY

D.C. VOLTS/AMPS

DESCRIPTION: The 516 Series is a compact instrument using a single LSI Chip and 4 LED's plus a few discrete components to give maximum reliability in a small package. The unit can be scaled to other than standard reading by means of an internal full scale 12 turn potentiometer that allows ±500 counts of adjustment. The 516 like all other Otek products, is subjected to 150 hour burn-in and 3-100% tests. Its calculated MTBF is over 100,000 hours and field failures are less than 0.05%!

HOUSING: Otek's Flat Pack requires no panel cut out. Just drill a 10mm (3/8") hole, pass the wires through, attach the provided double-sided tape (to prevent rotation), align the flat pack, tighten the nut and make the connections to the wires. No connector or tools required! No behind the panel space needed! The case is U.L. approved ABS Polycarbonate 94VO rated. NEMA 4X housing option does not have access to the adjustments. If other than Otek's standard setting is required, please specify at the time of ordering. Our New Sanitary Case is wall, pipe or panel mount and can have up to 2 meters, please specify.

SPECIFICATIONS AT 25°C

Accuracy and Linearity	±0.5% ±1 Digit
Maximum Input, Any Voltage Range	1000VDC
Maximum Input, Any Current Range	200%
Drift vs. Temperature	±0.005% °C
Samples/Second.....	4 Nominal
Input Bias Current	5pA
Input Impedance.....	1000 Meg. Nominal
Common Mode Voltage	2 Volts (Diff. Type)
Operating/Storage Temp	-10° to 60°C/-20° to +70°C
Power Requirement	160mA at 5VDC
Decimal Points.....	Selectable
Display Type	3½ Digit 0.6" Red LED
MTBF	100,000 Hours
Sanitary Case	NEMA 4X up to 250 F Steam Cleaning

POWER SUPPLIES: Externally mounted. Two types are available, the "Open Frame" style accepts 120/240VAC and delivers 5VDC at up to 400mADC. The "Power Pack" is a wall plug in module available only for 120VAC input and delivers 5VDC at up to 200mADC.

LEAD COLOR	TERMINAL DESCRIPTION
YELLOW	+ IN: Connect the most positive side of the signal input to indicate a positive reading with respect to -IN.
RED	+5VDC IN: Connect a +5VDC ±10% power supply with a 160mA source capability.
WHITE	- INPUT: Connect the most negative side of the input signal.
BLACK	GROUND: Return for +5VDC; use this terminal to enable decimal points.
GREEN	SIGNAL COMMON: Connect to -IN for differential input; otherwise, do not connect to any other terminal.
BLUE	REF. IN OR OUT: This terminal is used when the 516 is ordered in a ratiometric mode. (1V)
VIOLET	DECIMAL POINT 1.XXX: This decimal point will illuminate when connected to Black.
ORANGE	DECIMAL POINT 1X.XX: This decimal point will illuminate when connected to Black.
BROWN	DECIMAL POINT 1XX.X: This decimal point will illuminate when connected to Black.
GRAY	DECIMAL POINT 1XXX.: This decimal point will illuminate when connected to Black.

ORDERING INFORMATION (8/2/05)

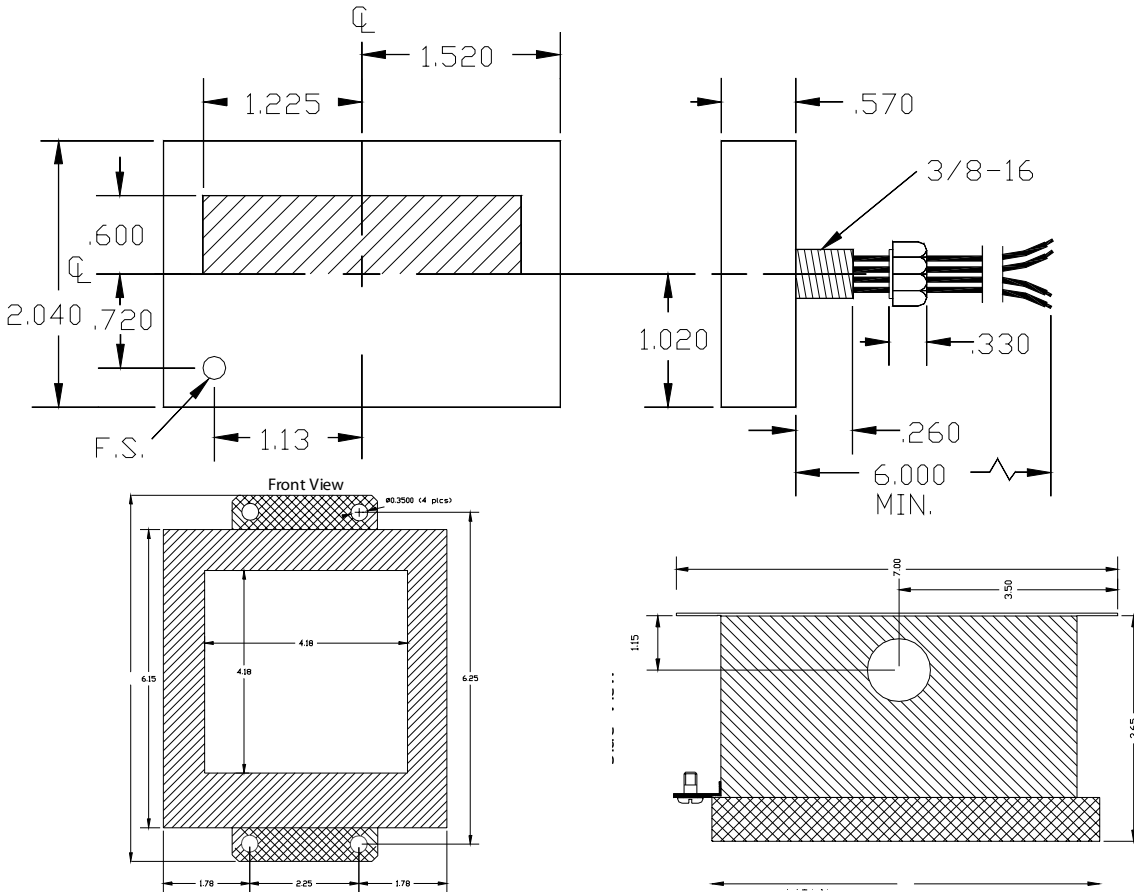
MODEL 5 1 6 - - - - 0

INPUT RANGE	POWER INPUT (2)
0 200mV	0 5VDC
1 2V	1 Open Frame 120/240VAC
2 20V	2 PowerPack 120VAC
3 200V	
4 500V	HOUSING (1)
5 2V Ratio	0 NEMA 3
6 200µA	1 NEMA 4X
7 2mA	2 Sanitary Case
8 20mA	(1) See NEMA 4X note in
9 200mA	"Housing" section above.
\$ 50mV	(2) See "Power Supplies"
(50mV=1000Counts)	section above.

DISCONTINUED!!!!!!!!!!!!!!!!!!!!!! SEE MODEL: NTM-F

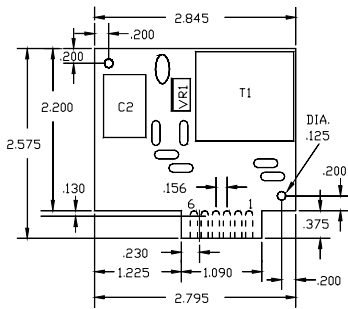
516 FLATPACK MECHANICALS & TYPICAL CONNECTIONS

FLAT PACK W/WIRES

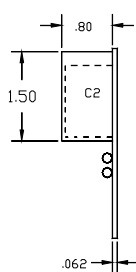


MECHANICALS FOR POWER SUPPLIES

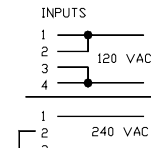
OPEN FRAME STYLE
P/N 81-3110, 5VDC OUTPUT



SIDE VIEW



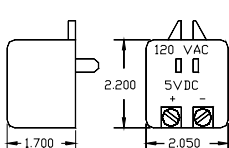
OPEN FRAME
POWER SUPPLY
TYPICAL CONNECTIONS



P/N 81-3110, 5VDC OUT

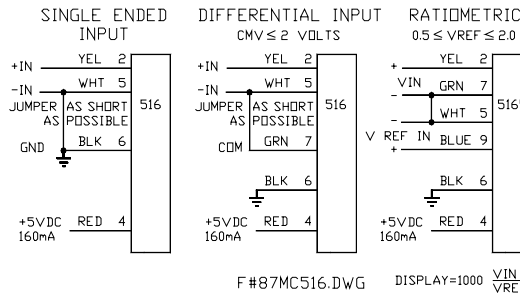
5 - GROUND
6 +VCC

POWER PACK STYLE



ORDER P/N 75-3110 FOR 5VDC

"516" TYPICAL CONNECTIONS



F#87MC516.DWG

DISPLAY=1000 V_{IN}/V_{REF}

FAX: 520-790-2808
E-MAIL: sales@otekcorp.com
TOLL FREE: 877-227-6835

520-748-7900

OTTEK™
CORP.

SINCE 1974

4016 E. TENNESSEE ST.
TUCSON, AZ. 85714 U.S.A.

MADE
IN
USA

