

NEW

WORLD'S FIRST "C.T." POWERED LOOP TRANSMITTER NO POWER SUPPLY REQUIRED!

**MODEL
CTT**
Pat. # 7,626,378

FEATURES:

- Powered By Your C.T., P.T. or Ext. Powered
- A/V/W/Hz A.C. Signal Powered
- 30-150VAC/0.5-5A Input
- 4-20mA Out/Isolated (See Note #2)
- ≤ 500 Ohm Load (C.T. Powered)
- ≤ 1K Ohm Load (Ext. Powered)
- Nuclear, Mil-Spec & Industrial Grades
- Panel or Din Rail Mount
- Optional Display (CTT-3)

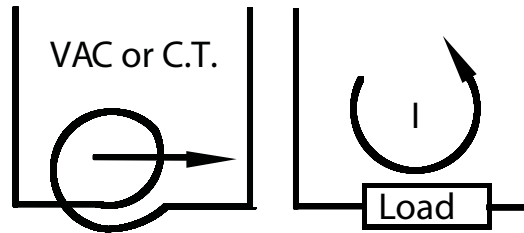
Model CTT-1 & 3 NEMA 4X WALL/PIPE MOUNT



SPECIFICATIONS

- Input Range (C.T. Power): 0.5-5AAC
- Input Range V, W or Hz: 30-150VAC
- Accuracy & Linearity: ± 0.5% F.S.
- Isolation: >2KV, See Note #2
- Conversion: True RMS
- Min.-Max. Load: 0-1K Ohms
- Min-Max V Loop Ext. Power: 7-30V
- Max. V Out: 24VDC or Ext. Powered
- Min/Max. I Out: 3-26mA
- Op/St Temperature: -20 + 70/-30 + 80°C
- CMBTF: ≥ 100K Hours
- Environmental: NEMA 4X (CTT1 & 3)
- Warranty: Lifetime (LTD)

Model CTT-2 DIN-RAIL MOUNT



-See Our New
DRT/DPT
Din Rail and Panel
Mount Transmitter
with Control
and Display

O TEK's new "**CTT**" is a variation of the company's recently introduced **ACS** Series that brought you the World's First Truly C.T. (Current Transformer) powered instruments to monitor or control A.C. variables (V, A, W & Hz).

Now **O TEK** brings you complete freedom and savings. The "**CTT**" is 100% powered by your on site 5 Amp C.T.. Just connect your C.T. output to the **CTT**, your current loop load and eliminate the conduit power supply & wires. The convenient plug-in screw terminal connectors (26-16 Ga), allows for quick installation.

POWER: The **CTT** is powered by your C.T. and just like analog meters, if the C.T. is dead or has below minimum current output, the **CTT** won't display or transmit. For applications requiring display and transmission, even at no input, order **CTT** externally (24VDC) powered (Digit 3, Option 1).

The optional display (Option 3) displays the loop value in bright red 4 1/2 LED digits, 0.25" high. Standard calibration is 4-20mA=0-10000 counts. The optional isolator (Option 1, 3rd digit) give you >2K V isolation between inputs and loop output and requires >7<32 VDC, plus your load burden.

PACKAGES:

The DIN Rail (Option 1) is only 1.1" wide x 3.1 H x 3" deep. The Nema 4X (Options 2 & 3) can be wall, panel or pipe (NPT 1/2") mounted, ideal for outdoor installation.

Standard Calibration is 0-0.4A no display, 0.5A = 5.6mA = 625 counts, 5A = 20mA = 10000 counts. Zero and Span pots are included. 4 & 20mA output adjustments are also included. You can mount the **CTT** next to, or remotely from your 5A C.T. Just consider the wire resistance (0.0040 Ohms/Foot x 2 for 16 Ga.) and the **CTT's** internal resistance (0.05 Ohm). It works best if you mount the **CTT** closest to your C.T.

Note: The C.T. A inputs are internally fused with a **10A** fuse. You should fuse your C.T. output at 8A or less. The V, W & Hz are fused internally with a 2A fuse. Use a 1A fuse externally.

**If You Don't
See It
Ask For It!**



520-748-7900

FAX: 520-790-2808

E-MAIL:sales@otekcorp.com

http://www.otekcorp.com

O TEK™
CORP.
SINCE 1974

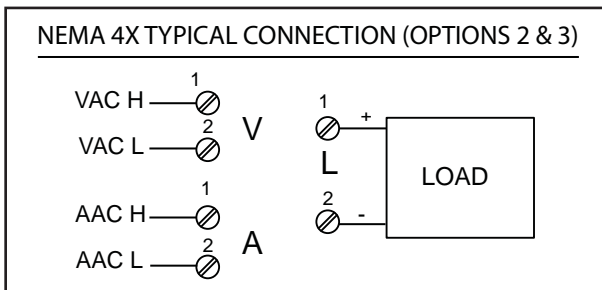
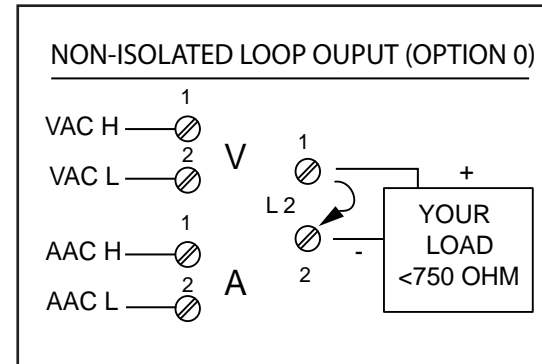
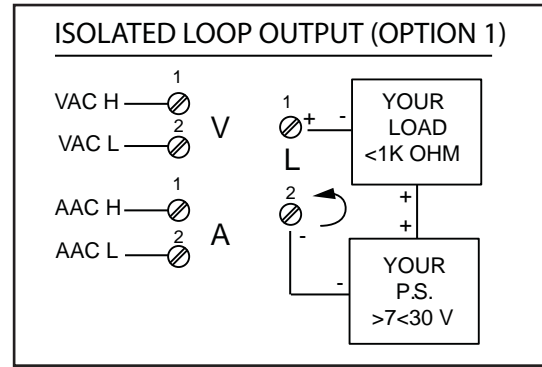
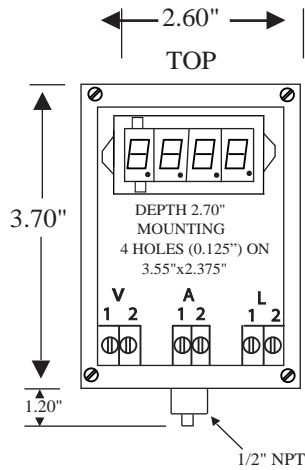
4016 E. TENNESSEE ST.
TUCSON, AZ. 85714 U.S.A.

MADE
IN
USA

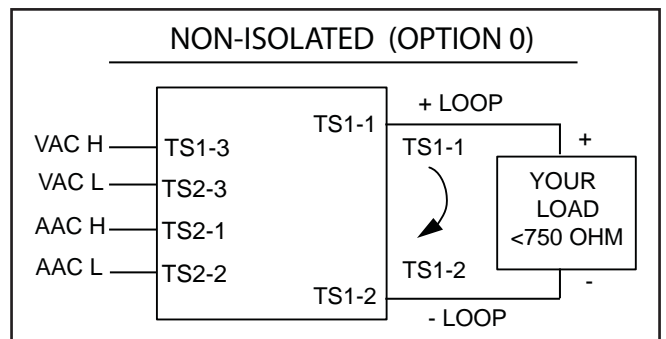
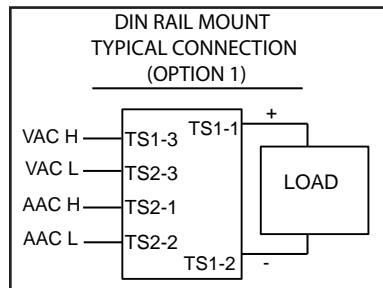
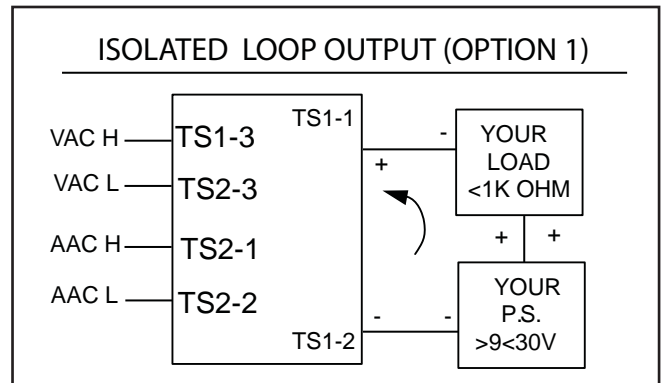
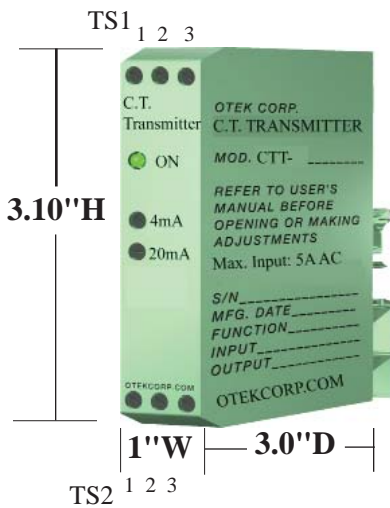


CTT MECHANICAL INFORMATION

OPTIONS 2 & 3 NEMA 4X



OPTION 1 DIN Rail Mount



CTT ORDERING INFORMATION 2-28-13

NOTE: Please READ NOTES BEFORE building part number.

SIGNAL POWERED TRANSMITTER

Model: CTT - 1 2 3 4

HOUSING TYPE & DISPLAY (1, 4)

- 1.....Nema 4X & None
- 2.....Din Rail & None
- 3.....Nema 4X w/RED Digits
- 9.....Custom (Contact OTEK)

GRADE (5)

- I.....Industrial
- M.....Mil-Spec (Contact OTEK)
- N.....Nuclear (Contact OTEK)
- 9.....Custom (Contact OTEK)

INPUT TYPE (2)

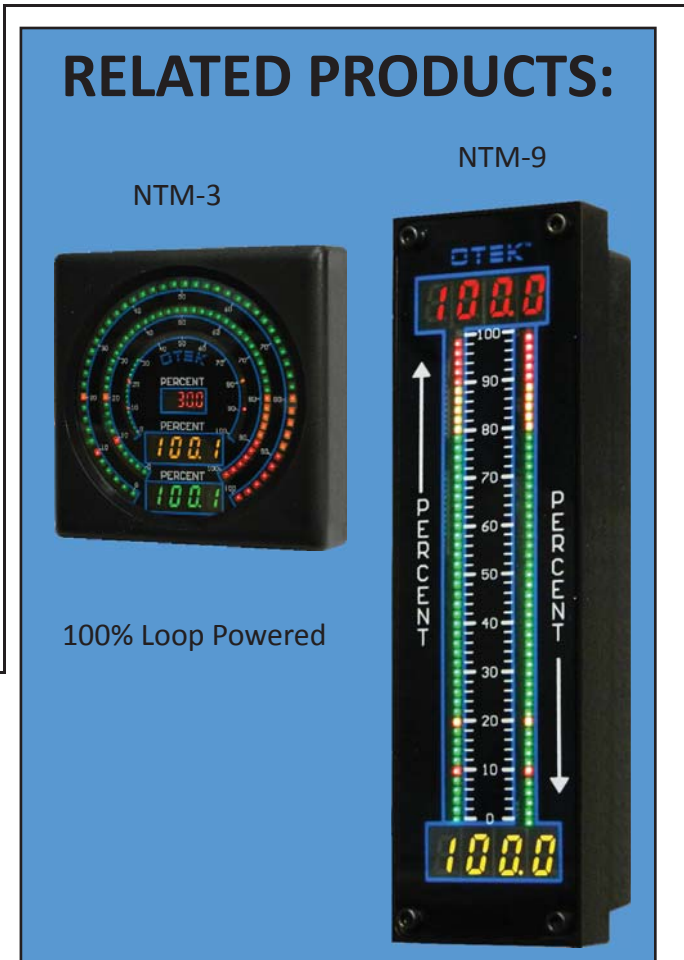
- A.....Amps A.C.
- H.....Hertz A.C.
- V.....Volts A.C.
- W.....Watts A.C.
- 9.....Custom (Contact OTEK)

POWER INPUT & ISOLATION LOOP (2, 3)

- 0.....Signal Powered & None
- 1.....Signal Powered & Externally Powered. Isolated Loop
- 9.....Custom (Contact OTEK)

NOTES:

1. Display (NEMA 4X case only) assigned to internal (non-isolated) current loop. See Notes 2 and 3 and text. Use #9 for custom display scale and offset if other than standard (0-FS=0=10000 counts). Decimal points are internally jumper selectable.
2. V, W and HZ options (digit 2) are **NOT** isolated from outputs. If choosing no external power on the isolation loop (option 0, digit 3), the customer **MUST** use a potential transformer. Otherwise, choose option 1 for digit 3 and provide external power to the output transmitter (7-32VDC).
3. An inherent output dead band of 4mA will be seen for the following inputs: A: < 0.5A; V, Hz and W: <30V.
4. Std. Calibration: Loop: A: .5-5A=5.6-20mA; V: 30V-120V=8-20mA; W: (AxV): 15-600W=4.4-20mA; HZ: 30-60=12-20mA; Display: 4-20mA=0-100.00 counts (%) for all.
5. OTEK will build to certain nuclear or MIL-Standards, but testing and confirmation of compliance, if required, will need to be done by a third party and at customer's expense.



DOWNLOADS:
 For manuals, user-software or drivers:
otekcorp.com/content/support-downloads