

Programmable Intelligent Controllers

WITH BARGRAPH-DIGITAL LED DISPLAY

HI-QTBS

FEATURES:

- ◆ NEW SANITARY CASE
- ◆ Isolated 18-bit A/D(50K Counts)
- ◆ 5V, 10-32VDC; 24 or 100-240VAC Power (10W)
- ◆ Isolated 16 Bit 4-20mA or 0-5VDC Output
- ◆ Four 10A Relays or 8-1/4A O.C.T.
- ◆ Isolated USB RS-232C/422/485
- ◆ Isolated Compliance/Excitation to Power Your Sensors/Transducers
- ◆ 1, 2 or 3 Channel Input
- ◆ Menu Driven Keypad (Optional)
- ◆ NEMA4X Front Panel
- ◆ Math Functions: +, -, x, ÷, √ & More
- ◆ Polynomials
- ◆ Look Up Tables



- 101 Auto-Tricolor Bars (1% resolution)
- Six(6) 0.6" Alpha-Num. Digits
- Programmable Blinking

SPECIFICATIONS: See Pages A-D

WHAT IS IT

- ◆ It is a Programmable Logic Controller (P.L.C.)
- ◆ It is a Computing Controller
- ◆ It is a DCS to Process Interface
- ◆ It is a Process to SCADA Interface
- ◆ It is a Single Loop Process Controller
- ◆ Or Just a *Plain METER*

EXPLOSION PROOF



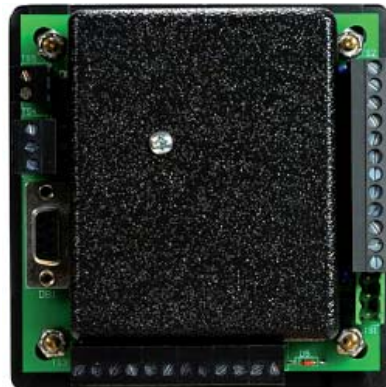
EXPLOSION PROOF:

- Approved for:
 - Class I Div 1 & 2 Groups B, C & D;
 - Class II Div 1 & 2 Groups E, F & G;
 - Class III Nema 3, 4, 7 & 9, FM, CSA, Baseefa & Cenelec Certified
- Tempered Glass Window
- Aluminum Casted Housing

New USB V2.0 Compatible:

The USB-232 converter plugs into the **DB9** connector and extends 1.25" on the rear. Has standard "Client" connector.

REAR VIEW



SIDE VIEW



← PANEL LOCATION

New!

SANITARY CASE



NEW SANITARY CASE!

- Only 6 X 6 X 3" Aluminum
- Double Gasketed and 3/4" NPT
- High Temperature/Impact Window
- Wall/Panel/Pipe Mounting
- Up to 250°F Steam Cleaning
- Water Tight/Submersible

520-748-7900

FAX: 520-790-2808

E-MAIL: sales@otekcorp.com

http://www.otekcorp.com

OTTEK™
CORP.

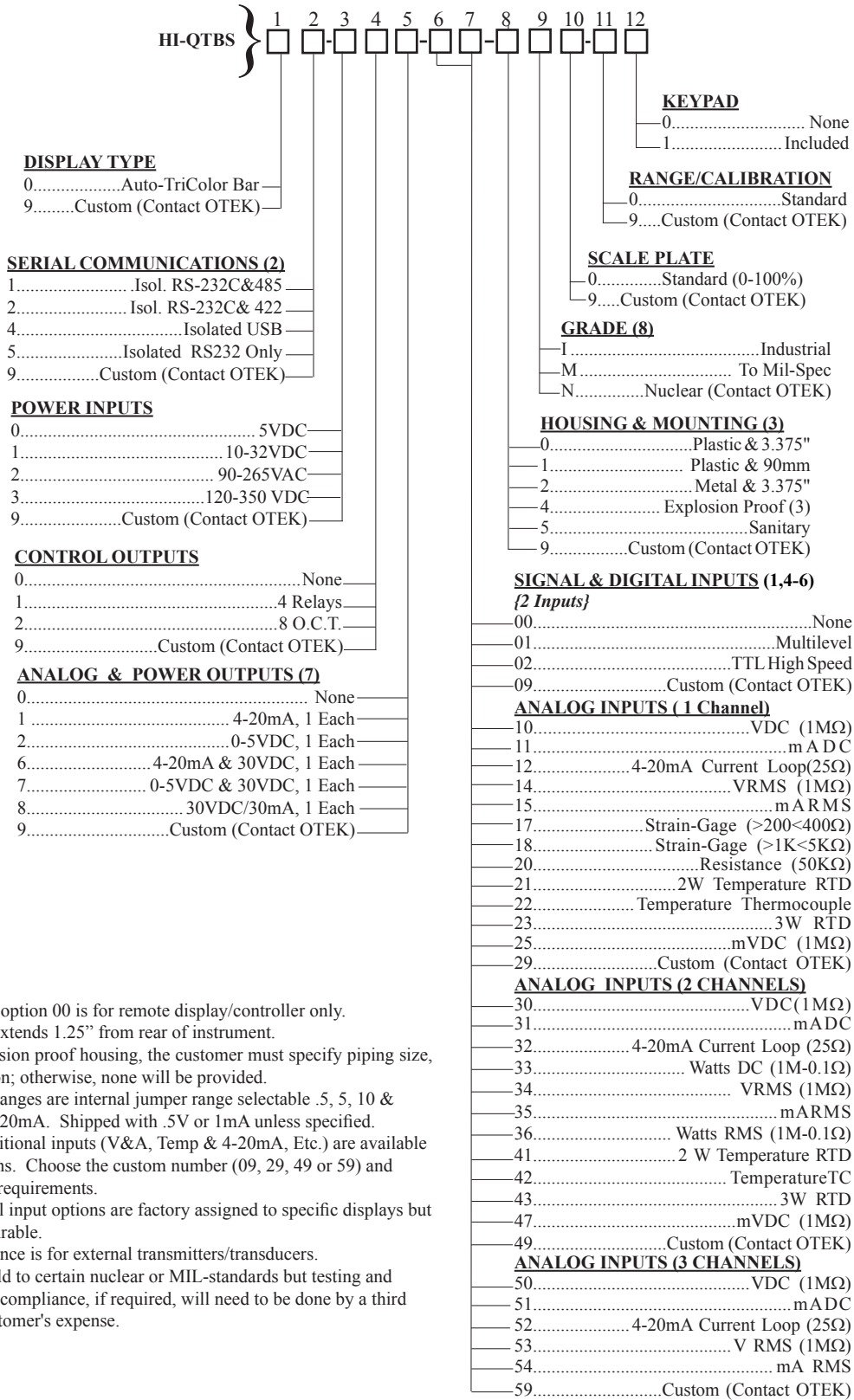
SINCE 1974

4016 E. TENNESSEE ST.
TUCSON, AZ. 85714 U.S.A.

MADE
IN
USA



TBS ORDERING INFORMATION 6-2-14



NOTES:

1. Digits 6 & 7 option 00 is for remote display/controller only.
2. USB option extends 1.25" from rear of instrument.
3. For the explosion proof housing, the customer must specify piping size, thread & location; otherwise, none will be provided.
4. Volt & Amp ranges are internal jumper range selectable .5, 5, 10 & 50VDC; 1, 5 & 20mA. Shipped with .5V or 1mA unless specified.
5. Mixed or additional inputs (V&A, Temp & 4-20mA, Etc.) are available as customizations. Choose the custom number (09, 29, 49 or 59) and specify custom requirements.
6. Multi-channel input options are factory assigned to specific displays but are field configurable.
7. 30V compliance is for external transmitters/transducers.
8. Otek will build to certain nuclear or MIL-standards but testing and confirmation of compliance, if required, will need to be done by a third party and at customer's expense.

520-748-7900
 FAX: 520-790-2808
 E-MAIL:sales@otekcorp.com
<http://www.otekcorp.com>



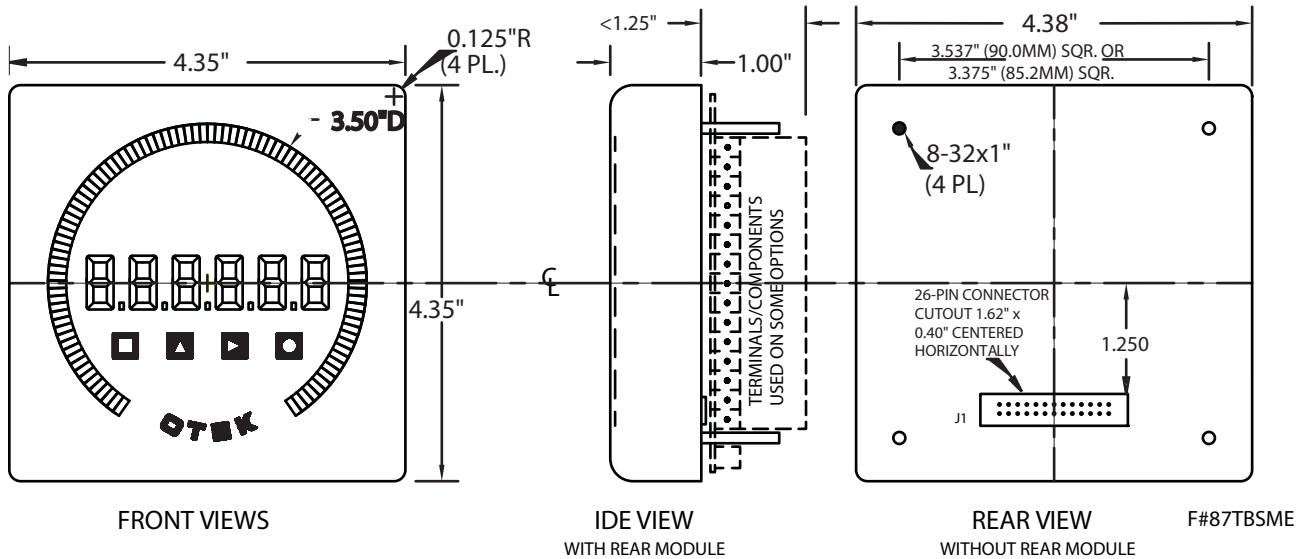
4016 E. TENNESSEE ST.
 TUCSON, AZ. 85714 U.S.A.

MADE
 IN
 USA



HI-QTBS MECHANICAL INFORMATION

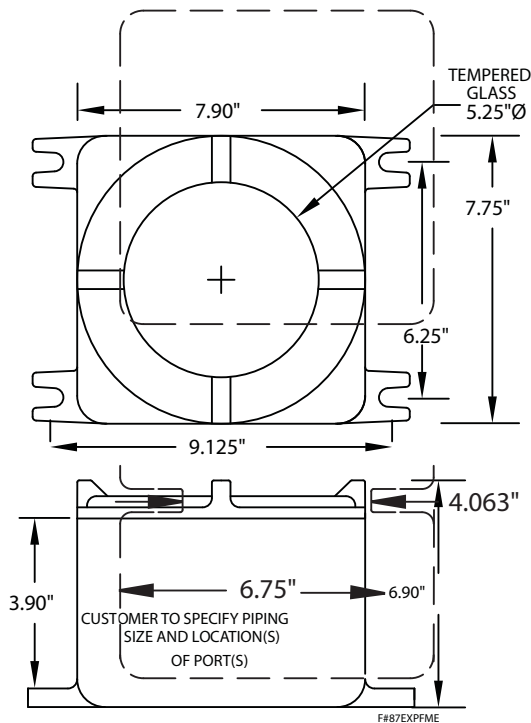
HI-QTBS MECHANICAL



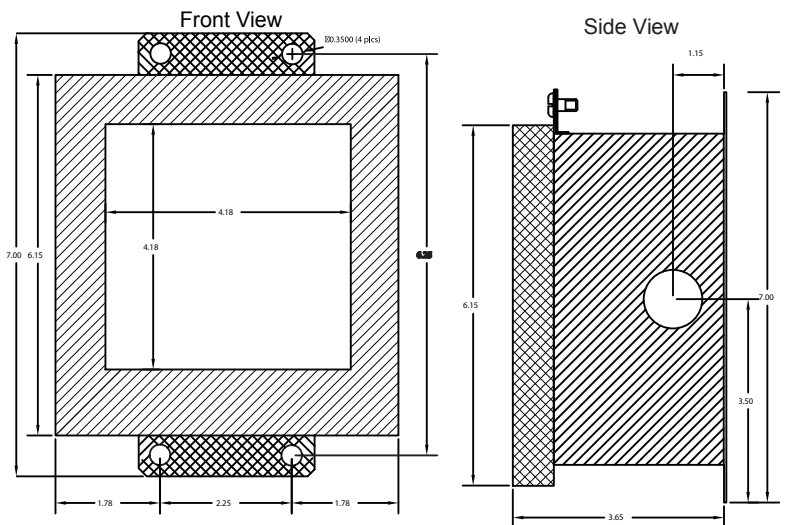
Note:

1. J₁ connector and 3.375" studs spacing meet ANSI 39.1 standard for switch board meters. J₁ falls within existing "Barrel" cutout.

EXPLOSION PROOF



SANITARY



520-748-7900
 FAX: 520-790-2808
 E-MAIL: sales@otekcorp.com
 http://www.otekcorp.com

OTTEK™
 CORP.
 SINCE 1974

4016 E. TENNESSEE ST.
 TUCSON, AZ. 85714 U.S.A.

MADE
 IN
 USA

