

DISCONTINUED!!!!!!!!!!!!!!!!!!!!!! SEE MODEL: NTM-0

VOLTS/DC/mADC INPUT, 4½ & 3½ DIGIT DIGITAL PANEL METER
 With: MUX BCD · 3-State BCD · Peak & Hold
 · Digital Comparator (Alarm) · µP Compatible

MODEL
 350



4½ DIGIT

Features

- Bipolar, Auto Zero
- Differential Input
- Large 0.6" Display
- Line or Logic Powered
- Separate Connectors for Signal and AC Power
- MTBF : 100,000 Hours



3½ DIGIT

D.C. VOLTS/AMPS

DESCRIPTION: The Model 350 is a 3½ or 4½ Digit Digital Panel Meter with high stability and accuracy. It uses the latest state of the art A/D. The versatility of Otek's packaging design, burn-in and test techniques gives you low cost, reliability and flexibility. Otek's main frame approach means that you can upgrade to a 4½ Digit Digital Panel Meter and several other functions without panel cutout change and minimal wiring change. The 350 Digital Panel Meter can be ordered with sensitivity from 50mV to 500 volts, 200µA to 200mA and a 2 volt ratiometric.

I/O PORTS: Multiplexed BCD, Busy, Strobe, Hold, Under-range, Over-range, Lamp Test & Display Blank are included.

DIGITAL PEAK & HOLD/RECALL: With this option, the Digital Panel Meter will store both positive and negative peaks as it displays current data. Since the peaks are stored digitally, there is no droop (drift vs. time). The user can recall or reset the positive and negative peaks by external logic connections.

3T BCD: Tristate Full Parallel BCD can be grouped in 4 bit, 8 bit or 16 bit format with individual digit select "Output Disable" and common "Input Disable" lines, 10 LP Loads of Positive LPTTL Logic is standard (Negative Logic is available on request). A must for µP, Printer and UART Interface.

DIGITAL COMPARATOR: Compares Internal BCD to External BCD from any source such as Thumbwheel Switches, µP, etc. High, equal and low logic outputs are available. Two latchable Opto-isolated Triac Drivers of high and low comparison are included. Also, 10 or 100 counts of Hysterisis can be enabled Thumbwheel Switches for the digital limit are available and must be mounted separately on the panel, they are rear mount type.

FULL SCALE: Adjustment (15 Turns) allows user to scale the reading from front panel (behind filter). Full scale adjustment for 2V, 20V, 200V and 500V is ±25% of F.S. for high stability.

DECIMAL POINTS: Hard wired selectable at rear connector.

POWER: Choice of 5VDC (std.) or AC Input (optional). When 120/240VAC Power Supply is ordered, its primary to secondary isolation is 1200VDC (or RMS) and it can supply the following for external use: +5VDC ±5% at 50mA and -5VDC ±5% at 5mA. Input is 120/240VAC ±10% selectable.

CASE: U.L. approved ABS Polycarbonate 94VO rated.

SPECIFICATIONS AT 25°C

| | |
|---|---------------------------------------|
| Input | Differential or Single Ended |
| Zero | Automatic |
| CMV | ±2VAC or VDC with 5 volt Powered |
| CMR | 90dB |
| Bias Current | 10pA |
| Input Protection Voltage Range | 1000 volts |
| Input Protection Current Ranges | 200% of F.S. |
| Input Impedance: 50mV, 200mV & 2V | 1000M |
| 20V, 200V & 500 Volts | 10M |
| 200µA Range | 10K |
| 2mA Range | 1000 |
| 20mA Range | 100 |
| 200mA | 10 |
| Sampling Rate | 3/Sec. Nominal, 20 Maximum (Specials) |
| Ratiometric Input | 0.1 volt > V Ref. < 2 volts |
| Accuracy | ±0.005% ±1 Count |
| Temperature Coefficient | 50PPM/°C |
| Display | 0.6" Red LED |
| MTBF | 100,000 Hours |
| All Logic Outputs | 1 TTL Load |
| Overload Indication | Flashing Display |
| Warm-up Time | Less Than 1 Minute |
| Operating Temperature | -10° to +60°C |
| Storage Temperature | -20° to +70°C |
| Power Requirement | 1 Watt at +5VDC |
| Triac Drivers | 10 mA at 120VAC |

ORDERING INFORMATION(8-02-05)

MODEL **3** **5** **0** **0** **0** **0**

| | | |
|-----------|----------------------|--------------------|
| RANGE | | POWER & OPTIONS |
| 0* | 200mV | 0 |
| 1 | 2 Volts | 1 |
| 2 | 20 Volts | 2 |
| 3 | 200 Volts | 3 |
| 4 | 500 Volts | 6 |
| 5 | 2V. Ratio metric | 7 |
| 6 | 200µAmp | |
| 7 | 2mAmp | DISPLAY/RESOLUTION |
| 8 | 20mAmp | 0 |
| 9 | 200mAmp | 1 |
| \$* | 50mV | |
| | (50mV = 1000 Counts) | |

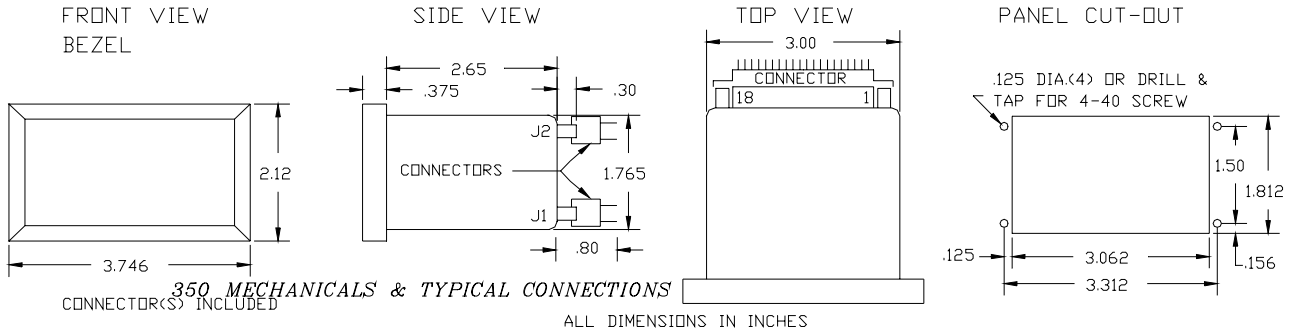
(1) When this option is ordered, the power supply must be mounted externally
 *Not Available with 4½ Display Option.

Connectors included

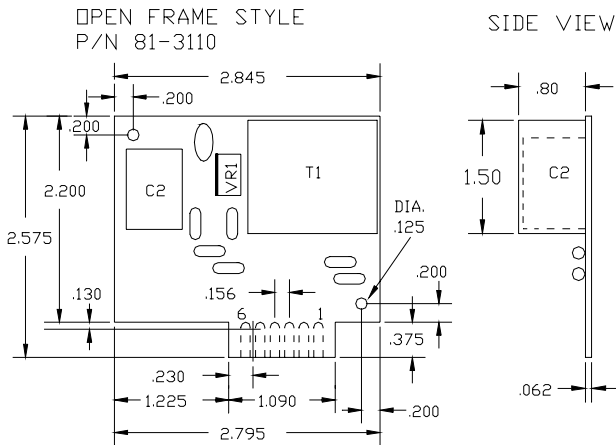
DISCONTINUED!!!!!!!!!!!!!!!!!!!!!! SEE MODEL: NTM-0

350 MECHANICALS & TYPICAL CONNECTIONS

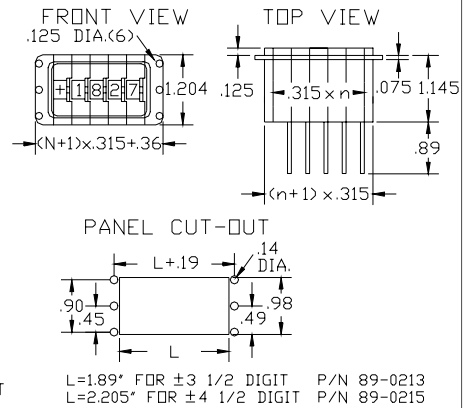
MECHANICALS



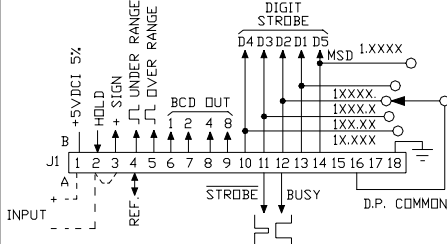
MECHANICALS FOR POWER SUPPLIES



SR SERIES THUMBWHEEL SWITCHES (REAR MOUNT)

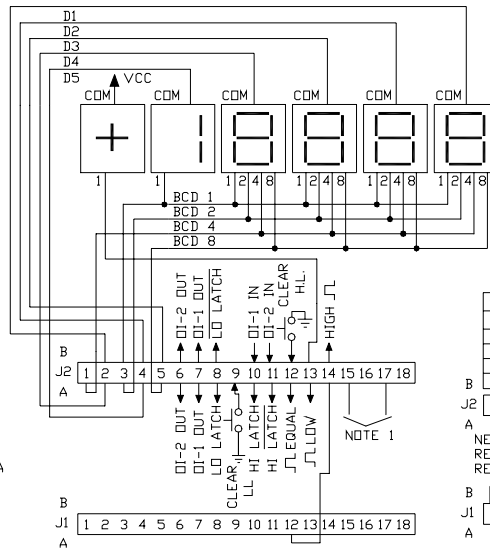


SIGNAL INPUT, MULTIPLEXED OUTPUT & DEC. POINT SELECTION



MOD. 350 TYPICAL CONNECTIONS

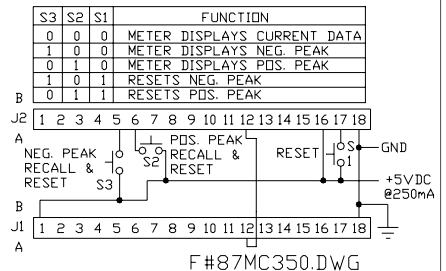
DIGITAL COMPARATOR WITH THUMBWHEEL SWITCHES



NOTE 1: CONNECT 17A TO 2B FOR 10 CTS. HYST. OR ALSO CONNECT 15A TO 4B FOR 100 CTS. HYST.

THUMBWHEEL SWITCHES WITH BLOCKING DIODES IN COMMON ANODE CONFIGURATION

DIGITAL PEAK & RECALL



FAX: 520-790-2808
E-MAIL: sales@otekcorp.com
TOLL FREE: 877-227-6835
520-748-7900

OTTEK™
CORP.

SINCE 1974

4016 E. TENNESSEE ST.
TUCSON, AZ. 85714 U.S.A.

MADE
IN
USA

