

# DISCONTINUED!!!!!!!!!!!!!!!!!!!!!! SEE MODEL: NTM-0

VOLTS/mA DC INPUT DIGITAL PANEL METER, 3½ & 4½ DIGIT

- RS232/422 · Peak & Hold · 3-State BCD · Digital Limit
- Excitation/Compliance · Analog Output · PC Compatible

MODEL  
200



## FEATURES

- 1/8 DIN & NEMA Compatible Cut-Out
- 3½, 4½ Digit LED Display with Dummy Digit
- 7 Power Inputs
- Special Scaling & Screening
- MTBF: > 100,000 Hours
- (NSN: 6625-01-346-7802)

**DESCRIPTION:** The Model 200 is the basic instrument used for hundreds of functions. It is designed to accept plug-in boards (for almost all process applications) at the factory, mod centers, or in the field.

The mainframe is a  $\pm 4\frac{1}{2}$  digit A/D that is used with 3½, or 4½ digit LED displays. Auto zero, bipolar, low bias current, high input protection, high CMRR, low temperature drift and more are standard features to all instruments.

**CONNECTOR(S):** A standard screw type connector for power and signal input is used. The I/O ports (top board) have industry standard flat cable connectors according to the function. All mating connectors are supplied at no charge.

**DISPLAY:** High efficiency  $\pm 3\frac{1}{2}$ ,  $\pm 4\frac{1}{2}$  digit LED, with or without dummy digit. Dummy digit is programmable as  $\times 10$  multiplier or alpha A, C, F, H, E, L, P, etc.

**INPUT RANGES:** Industry's most popular ranges are standard. Contact the factory or mod. centers for special input ranges or scaling.

## EXCITATION (COMPLIANCE) AND ANALOG CONTROL

**OUTPUTS:** The most popular combinations to match transducers are available. See Specifications & Ordering Information. The 4-20mA outputs are ideal for Proportional Control.

## DIGITAL CONTROL OUTPUT OPTIONS

- Option 1: BCD PARALLEL TRISTATE NON-ISOLATED, TTL compatible, bit addressable, with a 34 Pin Flat Ribbon connector.
- Option 2: BCD PARALLEL TRISTATE OPTO-ISOLATED to 1500VDC, TTL compatible bit addressable, with a 34 Pin Flat Ribbon connector.
- Option 3: DIGITAL PEAK & HOLD WITH RECALL holds and recalls the greatest positive and negative peak when enabled otherwise it displays current data. A 34 Pin Flat Ribbon connector is included.
- Option 4: DIGITAL LIMIT compares internal BCD data to an external BCD word (Multiplex Format) from Thumbwheel Switches or any TTL source. Its two 1 amp SPDT relays (for over and under) control external loads. It is field programmable for

hysteresis of 10 or 100 counts. A 34 Pin Flat Ribbon connector is supplied.

Option 5: RS232C converts the "ULTIMA 200" to a data acquisition system. Up to 32 stations and baud rates from 150-19,200. See Model A81-2450 on Section 7.

Option 6: RS422 This is the high-speed, longer distance version of RS232C with same features. See Model A81-2450.

Option 7: PARALLEL BCD WITH PEAK & HOLD: This option combines both options (1 & 3) on the same board.

Option 8: 8 BIT ENCODED BCD MUX: The output of the A/D (same as display) is presented on an 8 bit BUS containing the BCD (1, 2, 4, 8), plus over-range, under-range, and sign are encoded in 3 lines. A separate strobe BCD word line is included. This system is compatible to any 8 bit BUS system. Address selection is available.

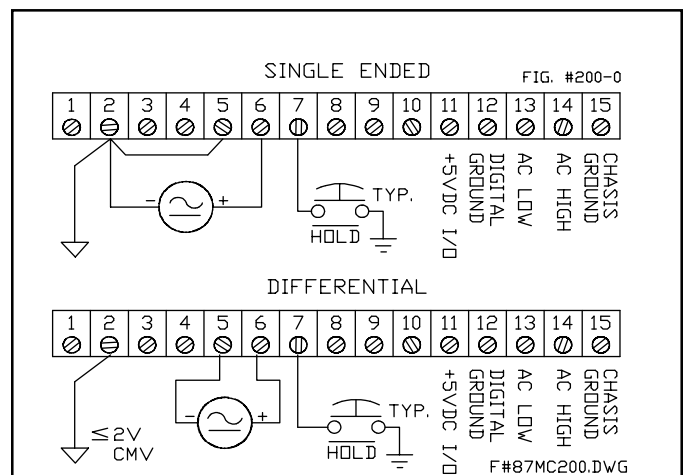
Option 9: 8 BIT ENCODED BCD OPTO-ISOLATED: Same as option 8 except it is opto-isolated to 1500VRMS. Power requirement is 5VDC at 100mA.

**POWER INPUTS:** Seven options are available: 5VDC non-isolated, 120VAC, 50-60Hz & 240VAC, 50-60Hz isolated to 1200VDC or RMS, 10VAC, 40-400Hz non-isolated, 12VDC non-isolated, 7-32VDC non-isolated and 7-32VDC isolated.

**CASE:** U.L. approved ABS Polycarbonate 94VO rated. Meets 1/8 DIN and NEMA panel cut out requirements.

**FULL SCALE, DECIMAL POINTS, AND OTHER ADJUSTMENTS** are easily accessible by removing the bezel and filter.

## TYPICAL CONNECTIONS



D.C. VOLTS/AMPS

